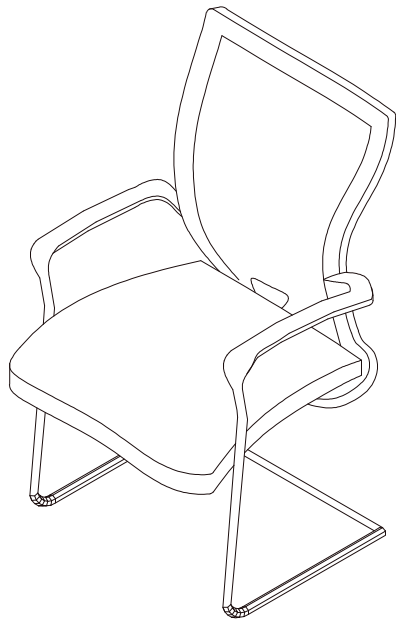


# CORPORATE LIVING

## L-SERIES DESIGN



### ISOMETRIC

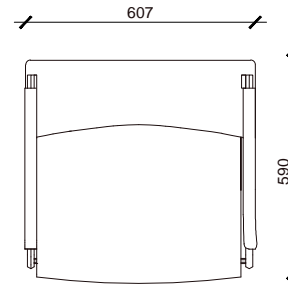
FRAME COLOURS: BLACK OR WHITE( SPECIAL ORDER IN CHROME)

SEAT COLOURS: JET BLACK / ROSSO RED / SAND SKY BLUE / LIME GREEN

W 607

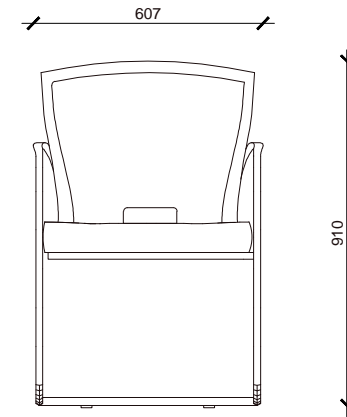
D 590

H 910



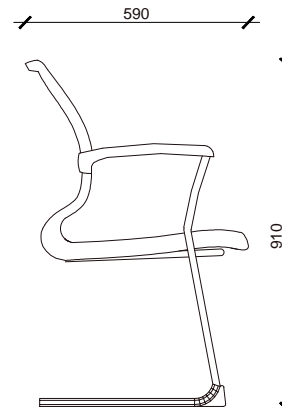
### PLAN

SCALE 1:20



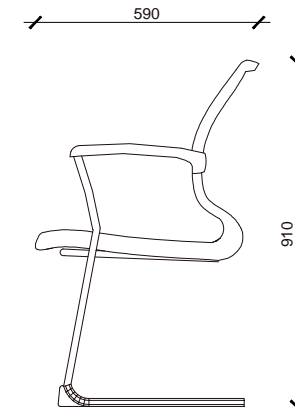
### FRONT ELEVATION

SCALE 1:20



### LEFT SIDE ELEVATION

SCALE 1:20



### RIGHT ELEVATION

SCALE 1:20

corporate *living*

### Corporate Living Warehouse & Distribution Centre

Boston House 10 Tacoma Circuit  
Canning Vale WA PO Box 202 Parkwood WA 6147

P: +61 (08) 9354 0199 E: [www.corporateliving.net.au](http://www.corporateliving.net.au)

CORPORATE LIVING: L - SERIES CHAIRS  
FRAME COLOUR : L 43 VISITOR CHAIR  
FABRIC COLOUR: WHITE/BLACK  
CHAIR SIZE: AS ABOVE  
AS ABOVE

DATE: 06 05 2013  
DATF: DRAWING: L -SERIES L43 VISITOR CHAIR  
DATG: 1:20 @ A4  
DRAWING NO: A.04  
REVISION: A  
DRAWN: JR  
PROJECT LEADER: MS  
DESIGN DIRECTOR: WJ

L 4 3 V I S I T O R S C H A I R

CL-L43