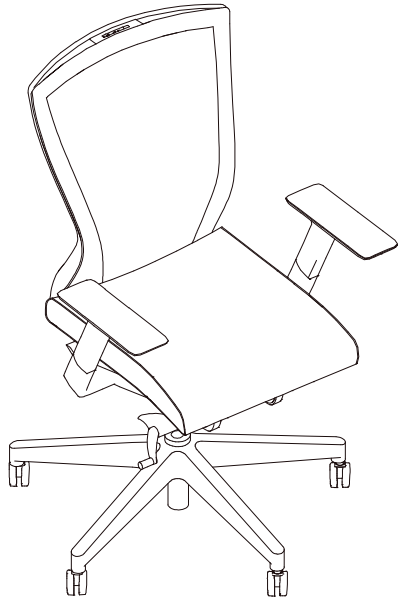


CORPORATE LIVING

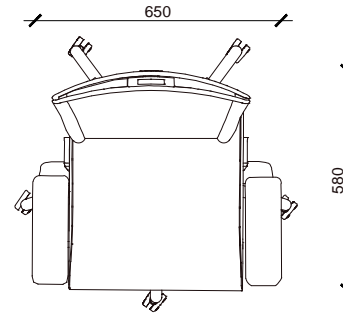
L-SERIES DESIGNS



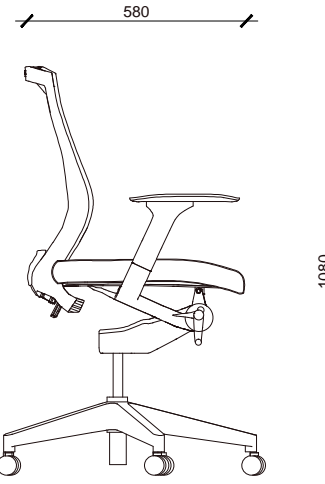
ISOMETRIC

FRAME COLOURS: DESIGNER WHITE OR ART BLACK
 FABRIC COLOURS: JET BLACK/ ROSSO RED/ SAND/ SKY
 BLUE/ LIME GREEN
 SEAT FINISHES: FABRIC/ PU/ EXECUTIVE LEATHER
 OPTIONAL: POLISHED ALLOY STAR BASE (46E)

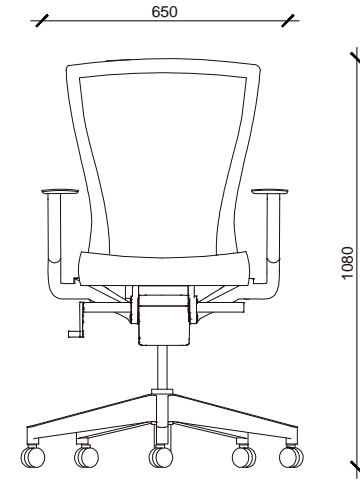
W 650
 D 580
 H 1080



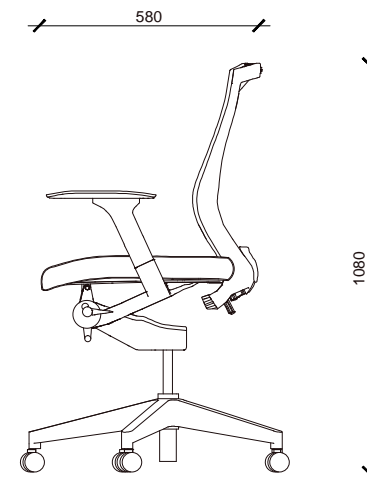
PLAN
 SCALE 1:20



LEFT SIDE ELEVATION
 SCALE 1:20



FRONT ELEVATION
 SCALE 1:20



RIGHT ELEVATION
 SCALE 1:20



Corporate Living Warehouse & Distribution Centre

Boston House 10 Tacoma Circuit
 Canning Vale WA PO Box 202 Parkwood WA 6147

P: +61 (08) 9354 0199 E: www.corporateliving.net.au

CORPORATE LIVING: L - SERIES CHAIRS
 FRAME COLOUR: SYNCHRONIZED TASK CHAIR
 FABRIC COLOUR: WHITE/BLACK
 CHAIR SIZE: AS ABOVE
 AS ABOVE

DATE: 06 05 2013
 DATF: DRAWING: L - SERIES L46 SYNCHRONIZED TASK CHAIR
 DATG: 1:20 @ A4
 DRAWING NO: A.06
 REVISION: A
 DRAWN: JR
 PROJECT LEADER: MS
 DESIGN DIRECTOR: WJ